

## TECHNICAL SPECIFICATION

### Soft starter ELM 2500



#### Description:

Soft starters are designed to control the start of three-phase induction motors with short-circuited rotor. A number of motor control issues are avoided through them, and namely: prolonged start moments, auto-ignition of motor, there is no need of star-delta switching, auto-transformer switching, resistant switching, etc. The ELM 2500 soft starter pertains to the AC53b type of starters as per the standard requirements and it provides rotation of motor and once the operation mode is set, a shunt contactor of the LT 1 D/F series is switched to control motor operation as the soft starter is not designed to control motors in a set mode. Under a stop command in accordance with the selected control scheme, the soft starter can or cannot be included in shutting the motor down.

#### Functions:

- System functions
  - over-voltage protection – motor will switch off when power supply exceeds the preset limits
  - overload protection – protects the motor from overloading
  - phase loss protection
  - temperature overload protection

- Control functions
  - output faults
  - motor faults diagnostics
  - keyboard or outward control
  - delayed start option
  - faults memory

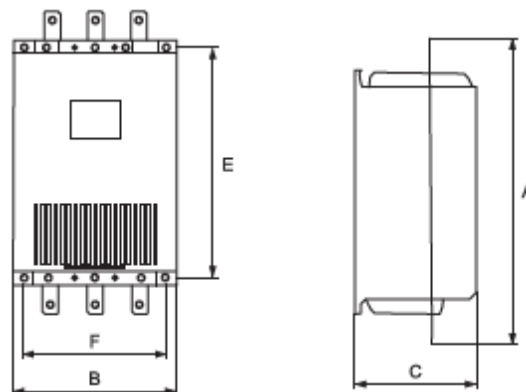
### Technical data:

- Rated working voltage: 230/400V AC; 50 Hz
- Permissible working voltage deviation:  $\pm 10\%$
- Unbalance of phases:  $< 3\%$
- Frequency fluctuation:  $< 5\%$
- Obligatory bypass contactor installation
- Mounting :
  - mounting to a flat surface through bolts
  - mounting position – vertical gradient maximum  $\pm 5^\circ$

**Note:** When more than one soft starter is mounted in a board, it is recommendable to mount them side by side and when this is not possible, the appropriate cooling conditions should be provided.

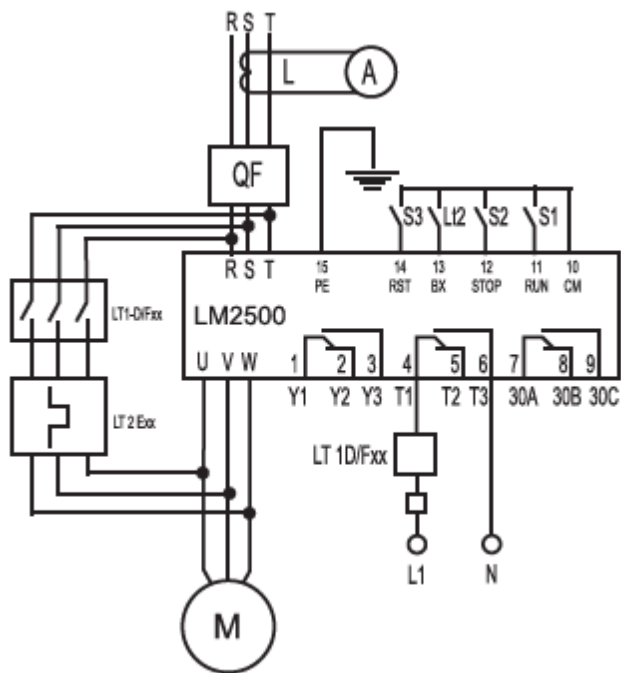
- Plastic: UV-rays resistant and fire resistant (self-extinguishing material)
- Altitude : up to 2000 m

### Dimensions:



Type	A	B	C	E	F	d
EL M25015	250	153	162	219	140	∅6
EL M25022	250	153	162	219	140	∅6
EL M25037	250	153	162	219	140	∅6
EL M25045	250	153	162	219	140	∅6
EL M25055	250	153	162	219	140	∅6
EL M25075	510	260	194	389	232	∅8

## Scheme



## Variants

Type	Power of motor (kW)	Rated current (A)	Type of bypass contactor	Section of power supply conductors	Packing / Box (pcs)	Catalogue number
EL M25015	15	30	LT 1-D 50	10	1 / 1	42225015
EL M25022	22	45	LT 1-D 50	10	1 / 1	42225022
EL M25037	37	76	LT 1-D 80	16	1 / 1	42225037
EL M25045	45	90	LT 1-D 95	25	1 / 1	42225045
EL M25055	55	110	LT 1-D 115	25	1 / 1	42225055
EL M25075	75	150	LT 1-D 150	35	1 / 1	42225075

## Standards

EN60947-4-2; EN 60947-1

The products are in accordance with the directives of EC “Low voltage directives (LVD) no 2006/95/EC” and “Electromagnetic Compatibility Directives (EMC) no. 2004/108/EC”.

